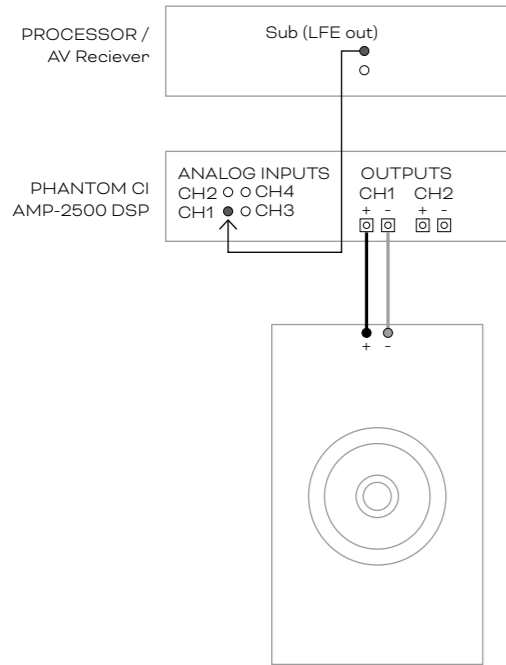
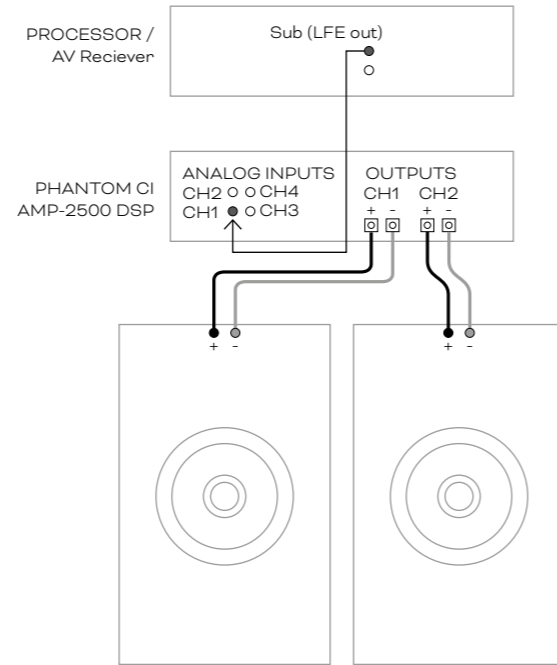


## 6. Subwoofer connections

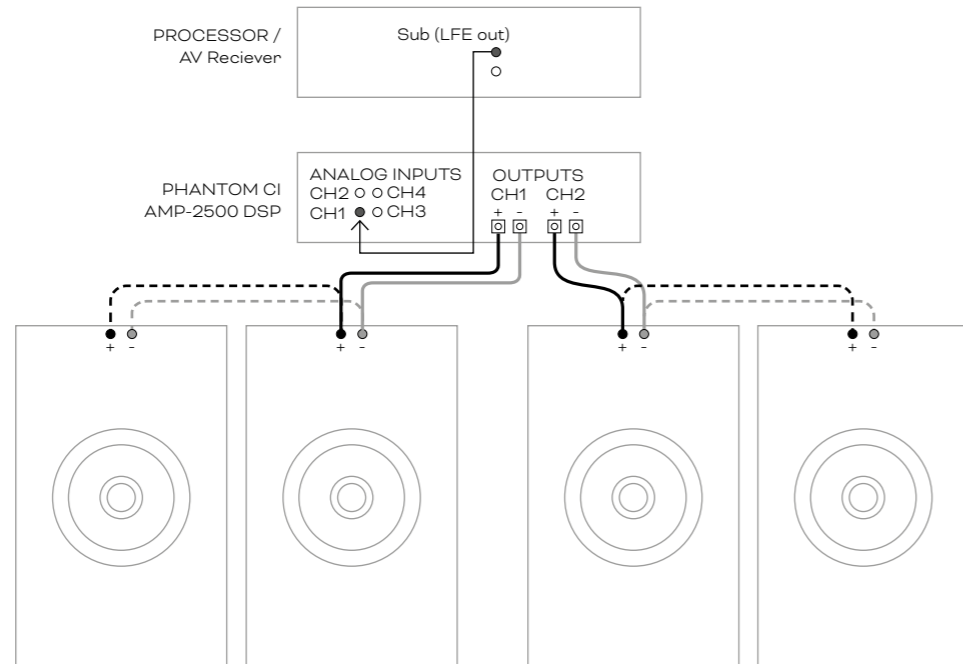
### 1 x Subwoofer (LFE .1)



### 2 x Subwoofer (LFE .1)



### 4 x Subwoofer (LFE .1)



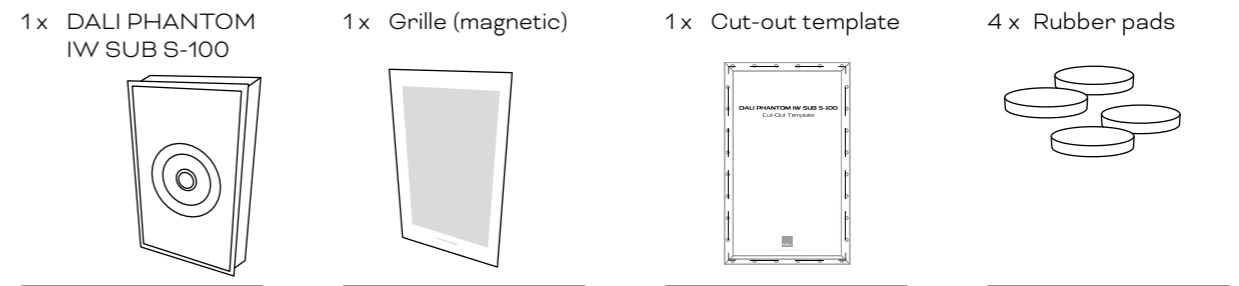
Go to the User Manual by scanning the QR code.

Item no. 951125-0-0-06/2023

# DALI PHANTOM IW SUB S-100

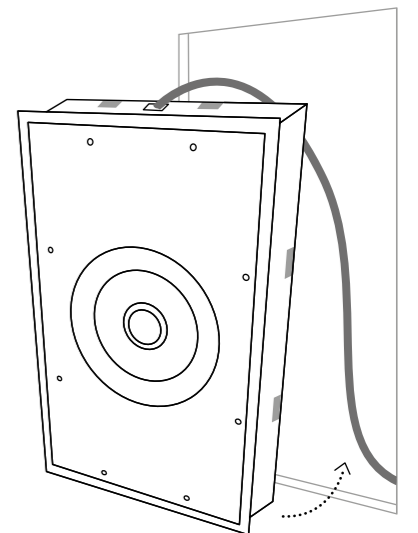
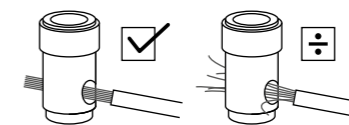
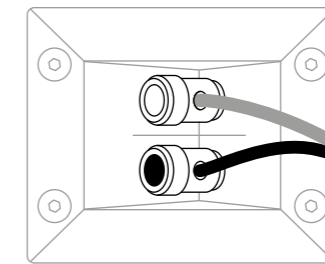
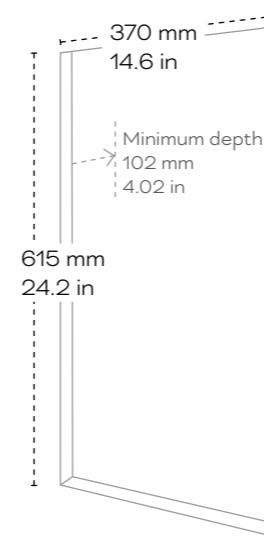
## QUICK START GUIDE

### 1. Carton Contents

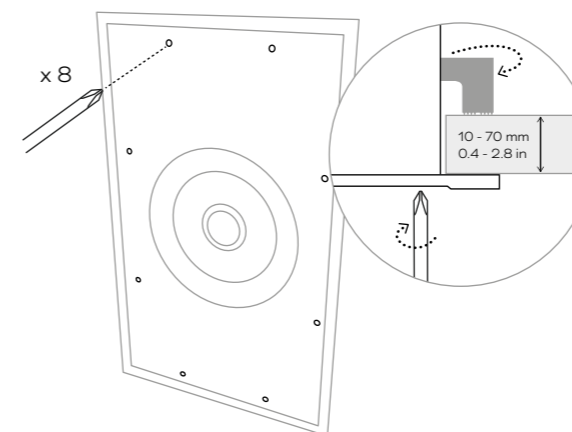


### 2.A Installation - In-wall

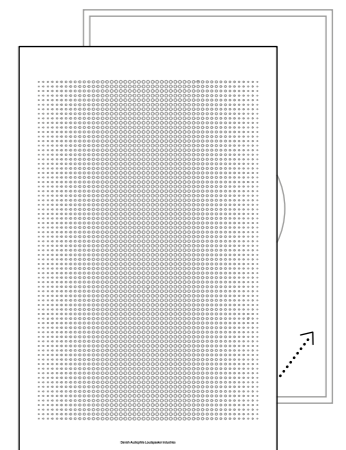
- 1 Use cut-out template to prepare the wall for installation.
- 2 Connect cables from the amplifier to the subwoofer.
- 3 Place subwoofer in wall.



- 4 Use a cross-head screwdriver or drill bit to tighten the eight dogleg clamp screws.



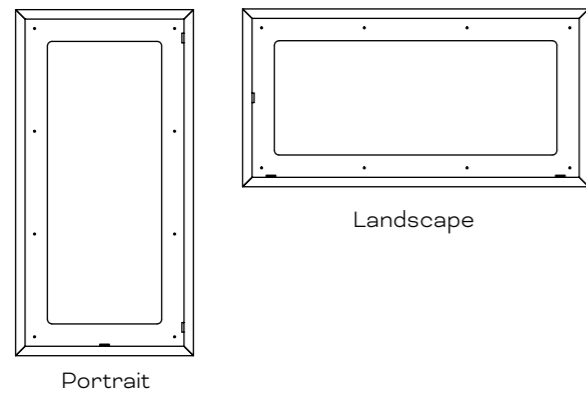
- 5 Place the grille.



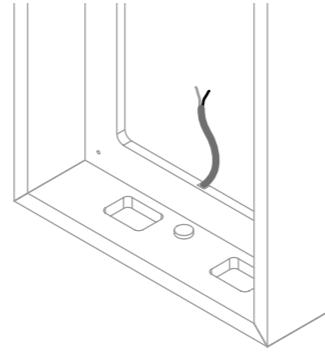
IN ADMIRATION OF MUSIC

## 2.B Installation - On-wall frame

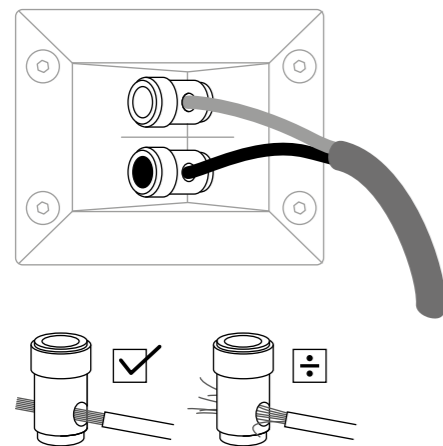
- 1 Mount the DALI S-80 On-wall frame on the wall in landscape or portrait position.



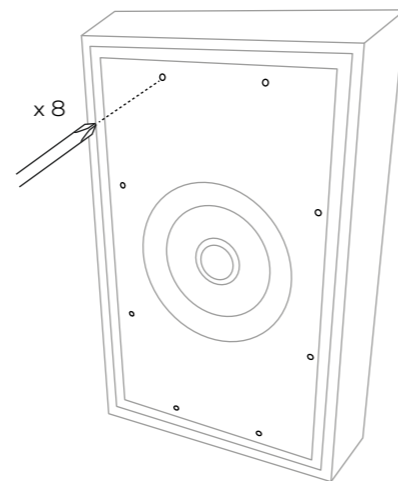
- 2 Pass the cable from the amplifier unit through the channels of the frame.



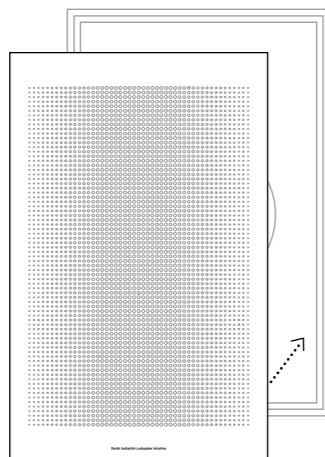
- 3 Connect cables from the amplifier to the subwoofer.



- 4 Use a cross-head screwdriver or drill bit to tighten the eight dogleg clamp screws.



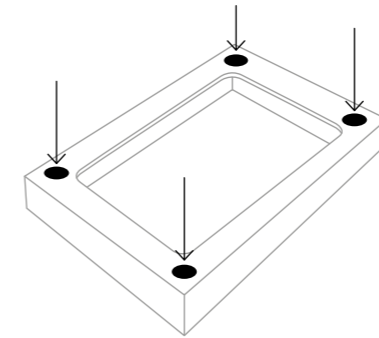
- 5 Place the grille.



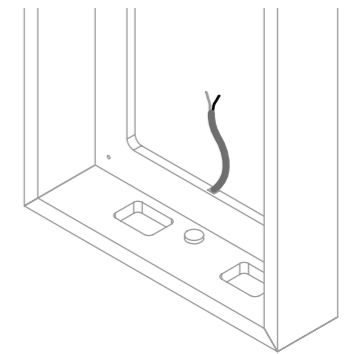
## 2.C Unmounted installation

Enable unmounted installation by using the DALI S-80 On-wall frame as an external cabinet for the subwoofer. For example for placement on floor.

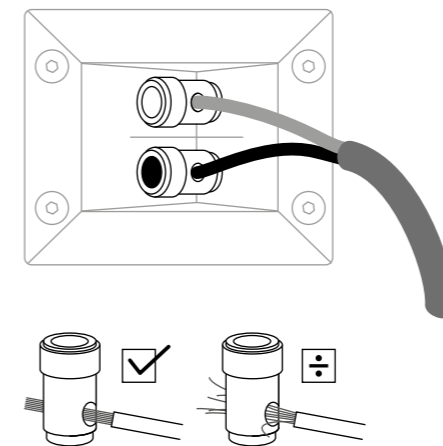
- 1 Place the 4 rubber feet to the rear side of the DALI S-80 On-wall frame.



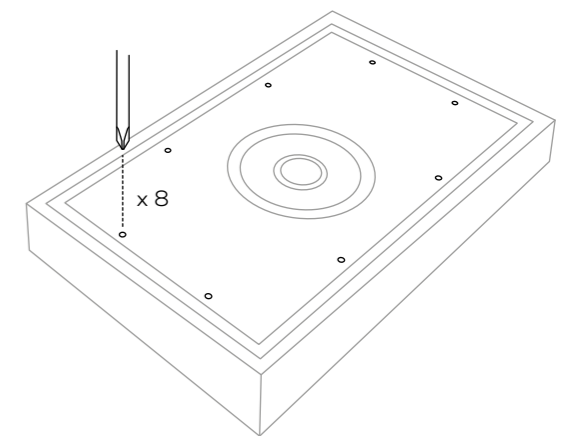
- 2 Pass the cable from the amplifier unit through the channels of the frame.



- 3 Connect cables from the amplifier to the subwoofer.



- 4 Use a cross-head screwdriver or drill bit to tighten the eight dogleg clamp screws.



- 5 Place the grille.

